

Specifications

352 Broadband Amplifier

Bandwidth	10 kHz - 5 GHz	- 3 dB at 2.5 GHz
Gain	26 ± 1.5 dB 20 V / V	non-inverting, 50 Ω load
Gain Flatness	± 0.6 dB	500 kHz - 4 GHz
Noise Figure	6 dB typ.	10 MHz - 2.5 GHz
Equivalent Input Noise Voltage	0.9 nV / √Hz	including 0.45 nV / √Hz from a 50 Ω source
Output at 1dB Gain Compression	+10 dBm	±1 V, 10 MHz - 4 GHz
Maximum Input for Linear Operation	approx. ± 50 mV	
Harmonic Distortion	- 44 dB	0 dBm out, 300 MHz
Third Order Intercept Point	+ 26 dBm	at 300 MHz
Impedance	50 Ω	a.c. coupled
Input Return Loss	12 dB	10 MHz - 5 GHz
Output Return Loss	10 dB	10 MHz - 5 GHz
Reverse Isolation	37 dB	10 MHz - 5 GHz
Rise Time	70 psec	typical
Group Delay Variation	± 60 psec	45 MHz - 5 GHz

Connectors: Type N

Input Damage Level:
 D.C. ± 1V
 R.F. 0 dBm
 Pulse ± 150 mV

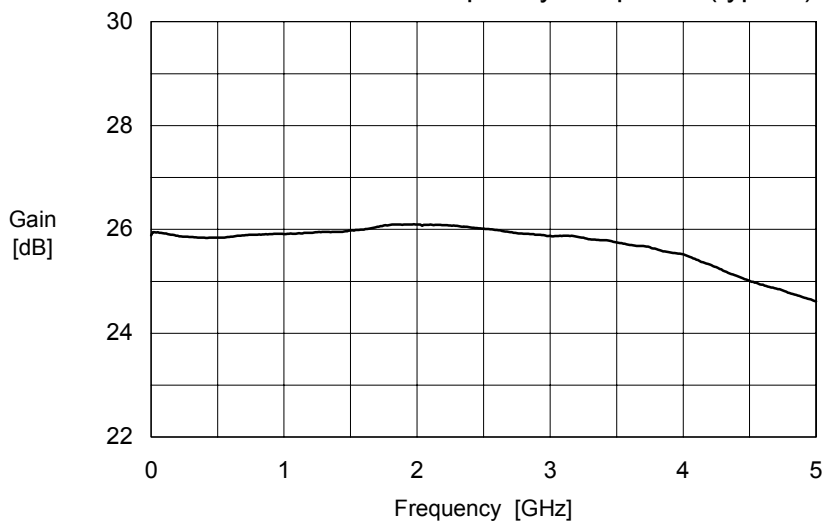
Temperature Range:
 Operating: 0 to + 55 °C
 Storage: - 25 to + 75 °C

Power Requirements:
 100, 120, 220, or 240V AC, ± 10%
 50 - 60 Hz, 11 VA

Size: 3.6 × 4.3 × 7.2" (H × W × D)
 91 × 109 × 183 mm

Net Weight: 3.3 lb / 1.5 kg

Frequency Response (typical)



DATA SUBJECT TO CHANGE

**SONOMA
INSTRUMENT** ®

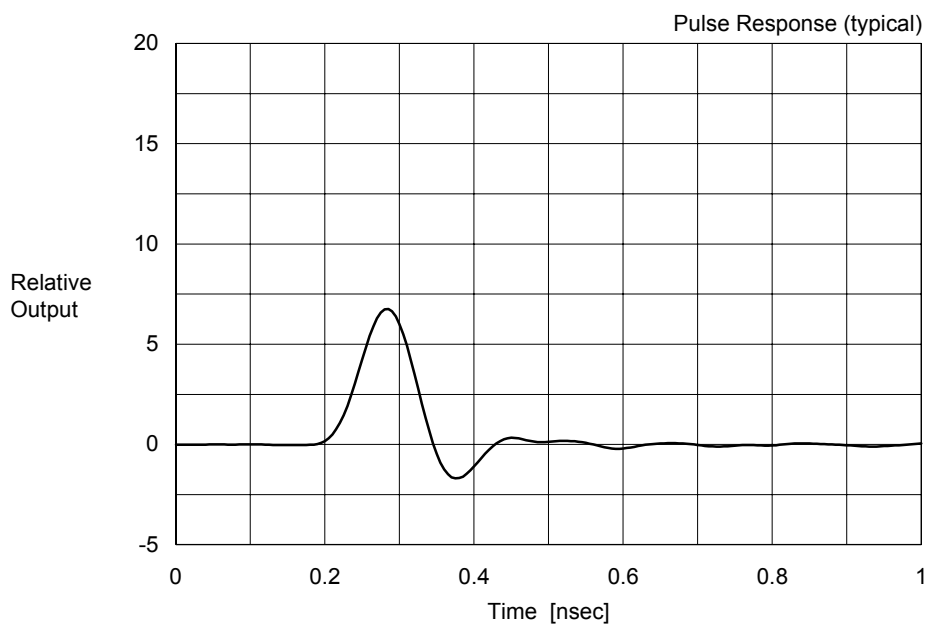
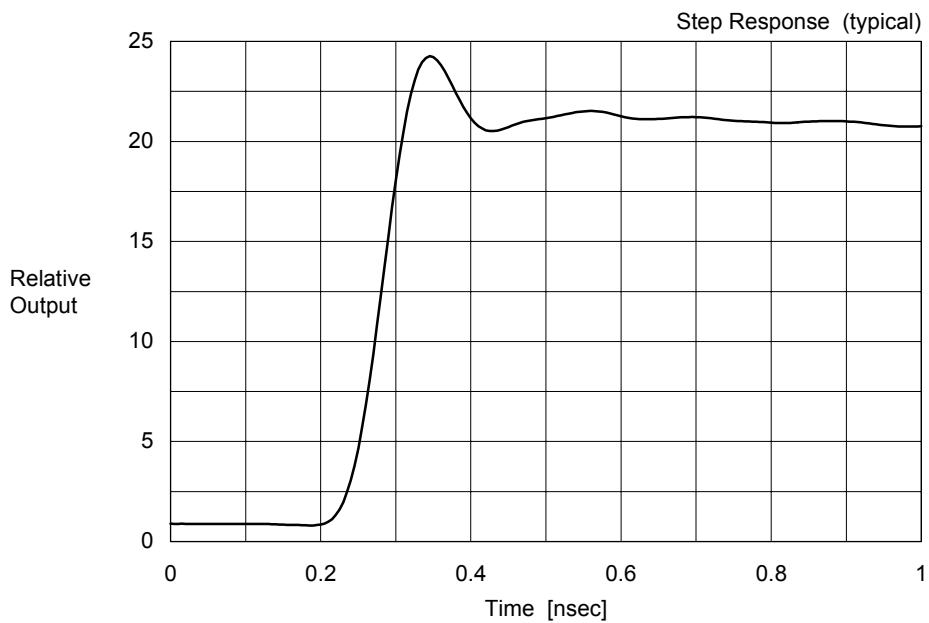
P.O. Box 9011, Santa Rosa, California 95405

Tel. 707-542-8569

Fax. 707-542-1551

August 2006 © SONOMA INSTRUMENT CO.

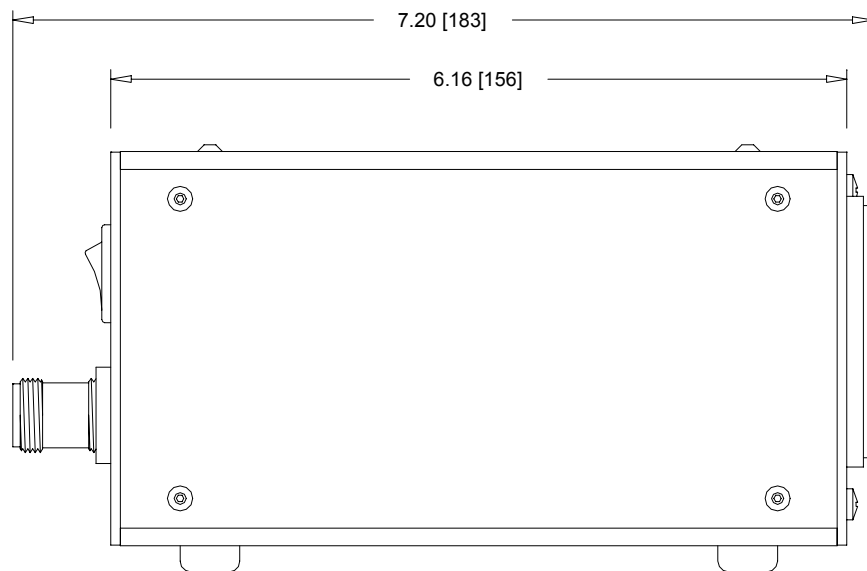
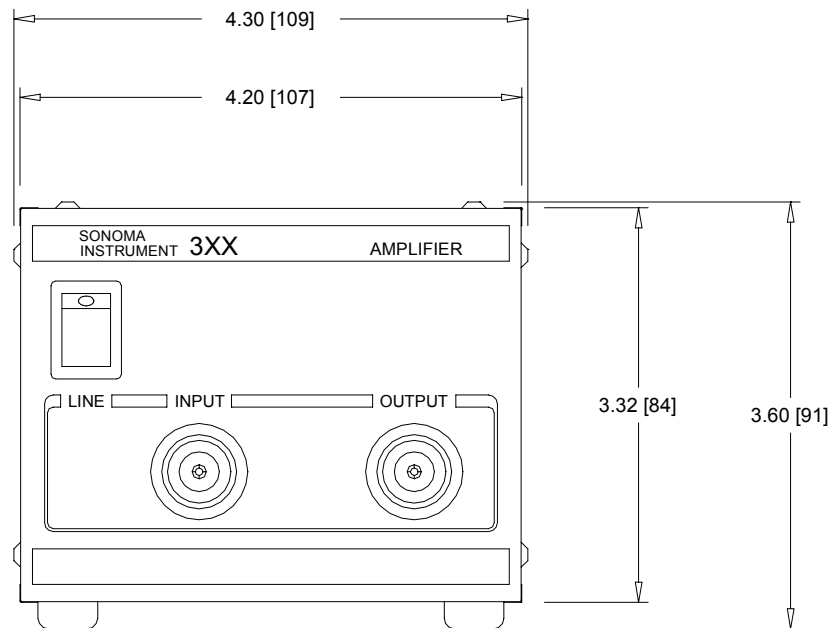
www.sonoma-instrument.com



DATA SUBJECT TO CHANGE

Outline Drawing

inch [mm]



DATA SUBJECT TO CHANGE

**SONOMA
INSTRUMENT** ®

P.O. Box 9011, Santa Rosa, California 95405

Tel. 707-542-8569

Fax. 707-542-1551

August 2006 © SONOMA INSTRUMENT CO.

www.sonoma-instrument.com